

Technical Specifications

Series-C Rotary Gas Meter IM-RM

Applications:	Natural gas / Argon / Butane / Ethane Nitrogen / Carbon dioxide / Carbon monoxide Air / Methane / Pentane / Propane	
Meter body:	material - cast aluminum	
ratings & flange connection -	ANSI 125/150 or PN10/16 ♦ Flat-face	
mounting -	Threaded holes (see table below)	
surface treatment -	hard anodized	
installation length (L) -	see table below	
maximum operating pressure -	Size 241 : 16/20 bar , Others : 16/19 bar	
design temperature range -	-25° / +55° C	
operating temp. range -	-25° / +55° C	
Feature:		
flow direction -	Single Position: - Left > Right & Top > Bottom - Right > Left & Bottom > Top Multiposition: All flow direction possible ¹³	
pressure point -	¼NPT plugged (others on request)	
temperature measuring point -	¼NPT plugged only on 171 & 241 size (others on request)	
high frequency sensor -	optional only on 171 & 241 length	
Index:	Standard: 8 digits Index , on request Optical Encoder Index	
low frequency sensor -	2x low frequency NO reed contact and 1 x anti fraude NC reed contact	
reading -	cubic meters [m ³]	
Calibration:	authority - Standard MID or QA calibration	
rangeability -	determined by approval & technical Qmin. See table below	
accuracy -	Qmin ≤ Q < Qt ±2% & Qt ≤ Q ≤ Qmax ±1% (Qt according to EN12480)	
repeatability -	0.1% or better	
Approvals:	Compliant with EN12480	
	Compliant with OIML R137-1 & 2 : 2012	
MID	Compliant with 2014/32/EU - Tifernogas Certificate: I-2142-MI002-TG012	
ATEX	Compliant with 2014/34/EU - Receipt TUV n° 0206121	
PED	Compliant with 2014/68/EU - Lloyd's register Certificate 0038/PED/MLN PRJ 11090550/01/01	
Documents:	declaration of conformity, calibrations certificate, installation and operation manual	
Options:	on request	

Available Size:										
Rating	Qmax.	Qmin.	Range	Size	volume	Length	Weight	LF pulses	Mounting Bolts (T)	
range	m ³ /h	m ³ /h	max	metric (inch)	dm ³	mm	kg	Imp. /m ³	Metric	Inch
G10	16	0,5	1:30	40 (G1½)	0,18	121	3,5	10	No Flange ¹¹	
G16	25	0,5	1:50	40 (G1½)	0,18	121	3,5	10	No Flange ¹¹	
G25	40	0,65	1:65	40 (G1½)	0,26	121	4	10	No Flange ¹¹	
G16	25	0,50	1:50	40/50 (1½" / 2")	0,69	171	10	10	4 x M16	4 x ½UNC ¹²
G25	40	0,65	1:65	40/50 (1½" / 2")	0,69	171	10	10	4 x M16	4 x ½UNC ¹²
G40	65	0,65	1:100	40/50 (1½" / 2")	0,69	171	10	10	4 x M16	4 x ½UNC ¹²
G65	100	0,65	1:160	50 (2")	0,69	171	10	10	4 x M16	4 x 5/8UNC
G100	160	1	1:160	50 (2")	1,11	171	12	1	4 x M16	4 x 5/8UNC
G100	160	1	1:160	80 (3")	1,11	171	12	1	8 x M16	4 x 5/8UNC
G100-Twin	160	1,6	1:100	80 (3")	1,73	171	20,5	1	8 x M16	4 x 5/8UNC
G160-Twin	250	1,6	1:160	80 (3")	1,73	171	20,5	1	8 x M16	4 x 5/8UNC
G160	250	1,6	1:160	80 (3")	2,31	241	22,5	1	8 x M16	4 x 5/8UNC
G100	160	2,5	1:65	100 (4")	2,98	241	27,5	1	8 x M16	8 x 5/8UNC
G160	250	1,6	1:160	100 (4")	2,98	241	27,5	1	8 x M16	8 x 5/8UNC
G250	400	2,5	1:160	100 (4")	2,98	241	27,5	1	8 x M16	8 x 5/8UNC
G250-Twin	400	4,0	1:100	100 (4")	3,88	241	45	1	8 x M16	8 x 5/8UNC
G400-Twin	650	4,0	1:160	100 (4")	3,88	241	45	1	8 x M16	8 x 5/8UNC
G400-Twin	650	4,0	1:160	150 (6")	3,88	241	45	1	8 x M20	8 x 3/4UNC
G400-Twin	650	6,5	1:100	150 (6")	5,97	241	53	1	8 x M20	8 x 3/4UNC
G650-Twin	1000	6,5	1:160	150 (6")	5,97	241	53	1	8 x M20	8 x 3/4UNC

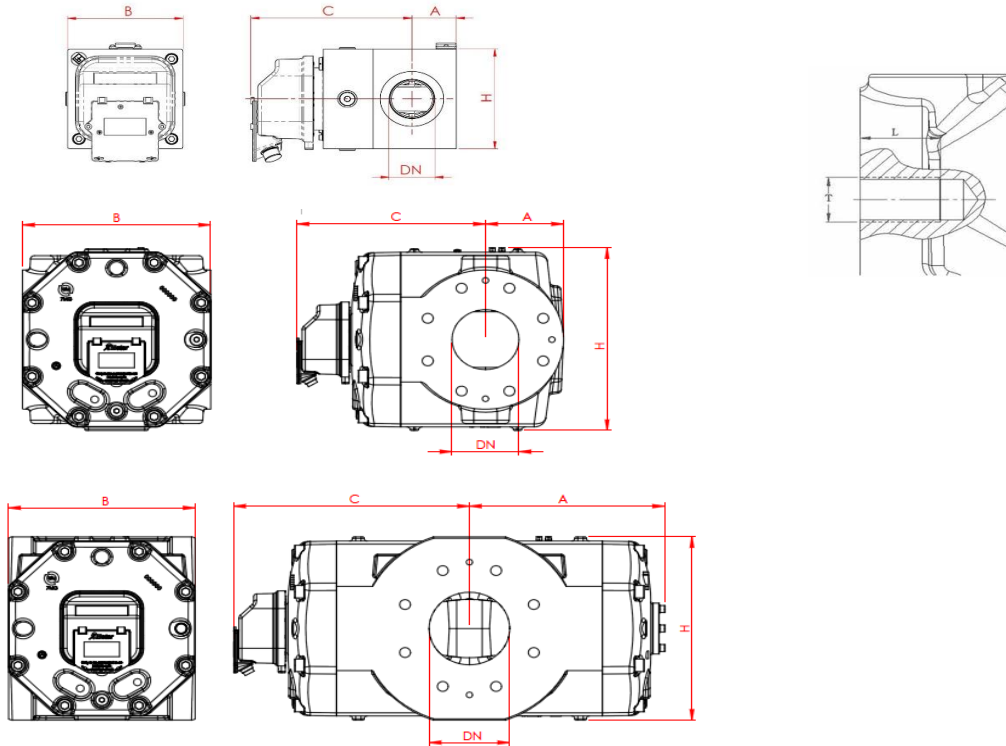
Note:

- ¹¹ BSPP G 1 ½" or 1 ½" NPT Thread Connection
- ¹² Size 2" - 4 x 5/8UNC
- ¹³ The meter has the pressure points and temperature measuring points on both sides, It can be supplied with thermowells and pressure connectors mounted in the required position or with these accessories included in the packaging

Pag: 1/2

Technical Specifications

Series-C Rotary Gas Meter IM-RM


Dimensions (Max):

	DN	volume	A	B	C	H	LENGTH OF THREADS (L)
range	mm (inch)	dm ³	mm	mm	mm	mm	ANSI/DIN (mm)
G10	40 (G1½)	0,18	35	121	170	130	N/A
G16	40 (G1½)	0,18	35	121	170	130	N/A
G25	40 (G1½)	0,26	50	121	175	130	N/A
G16	40 (1½")	0,69	85	171	190	185	19 / 24
G16	50 (2")	0,69	85	171	190	185	24 / 24
G25	40 (1½")	0,69	85	171	190	185	19 / 24
G25	50 (2")	0,69	85	171	190	185	24 / 24
G40	40 (1½")	0,69	85	171	190	185	19 / 24
G40	50 (2")	0,69	85	171	190	185	24 / 24
G65	50 (2")	0,69	85	171	190	185	24 / 24
G100	50 (2")	1,11	100	171	220	185	24 / 24
G100	80 (3")	1,11	100	171	220	185	24 / 24
G100-Twin	80 (3")	1,73	225	171	280	185	24 / 24
G160-Twin	80 (3")	1,73	225	171	280	185	24 / 24
G160	80 (3")	2,31	100	241	240	265	24 / 24
G100	100 (4")	2,98	130	241	255	265	24 / 24
G160	100 (4")	2,98	130	241	255	265	24 / 24
G250	100 (4")	2,98	130	241	255	265	24 / 24
G250-Twin	100 (4")	3,88	255	241	305	265	24 / 24
G400-Twin	100 (4")	3,88	255	241	305	265	24 / 24
G400-Twin	150 (6")	3,88	255	241	305	265	29 / 30
G400-Twin	150 (6")	5,97	325	241	375	265	29 / 30
G650-Twin	150 (6")	5,97	325	241	375	265	29 / 30